

**Assembly Instructions**



**Simplebale - Scale with quarter turn kit**  
**Kit numbers: ACX3744410, ACX3202880 and**  
**ACX3744030**

**1840 Baler**



**CALIFORNIA**

**Proposition 65 Warning**

**WARNING:** Diesel engine exhaust and some of its constituents are known to the State of California to cause cancer, birth defects, and other reproductive harm.

**WARNING:** Battery posts, terminals and related accessories contain lead and lead compounds, chemicals known to the State of California to cause cancer, birth defects, and other reproductive harm.

## How to use this manual

### Transport damage and missing parts

Examine the machine and parts carefully for possible damage that occurred during transport. Speak to the person that is responsible for transport immediately if you find damage.

Make an order for missing parts.

### General

If more assistance is necessary you should speak to your AGCO dealer.

This manual is only applicable to the models specified on the front cover.

### Fastener torques

Always replace fasteners with fasteners of the same specification. Tighten all fasteners to the correct torque values.

You can find the list of torque values in the service manual or the assembly instructions of the machine. If the torque value is different, it is specified in the procedure.



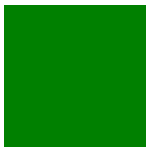

### Special tools

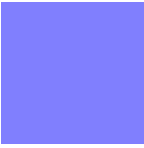

If it is necessary to use a special tool in a procedure, the tool identification is specified in the procedure.

### Illustrations

The illustrations do not always show the same machine specification or machine configuration. The procedure is the same unless the instruction tells you differently.

The illustrations in this manual use a color system to help you follow the instruction correctly.

Color	Description	Functions
	<b>Target/focus item</b> The primary component in the step is this color.	Primary component, decal location, component location
	<b>Connectors, fasteners</b> All components that attach the primary component to a different component are this color.	Fasteners, electrical connectors
	<b>Primary alternative</b> If there are 2 primary components in the illustration, 1 of the 2 components is this color.	Secondary component
	<b>Secondary alternative</b> If there are 3 primary components in the illustration, 1 of the 3 components is this color.	Tertiary component

Color	Description	Functions
	<b>Special tool</b> Where the special tools or equipment are in an illustration, they are this color.	Pressure gauges, specified tools
	<b>Parts that you move</b> A component that you must move, and that is not necessary to remove from the machine.	Electrical wires, hydraulic hoses

### Part number references

All parts that are supplied in the kit are referenced in the bill of materials.

Each part is added to a table in the installation steps, below is an example.

Number	Part number	Description	Quantity
(1)	X446235234000	Long key	5
(2)	X446234100000	Short key	2
(3)	653620031930	Shaft	1

- Number - As shown in the illustration
- Part number - Component part number
- Description - Component name
- Quantity - Number of components required for the step

## 1.1 Safety icons

The safety warnings show in the manual with these icons:



**DANGER:**

This is an immediately dangerous situation which, if you ignore it, will cause death or injury.



**WARNING:**

This is an immediately dangerous situation which, if you ignore it, can cause death or injury.



**CAUTION:**

This is an immediately dangerous situation which, if you ignore it, can cause injury.



Fig. 1

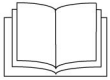
### Secondary information

2 types of secondary information are shown when necessary.

**IMPORTANT:** *This identifies special instructions or procedures which, if not followed can cause damage to the machine. It might also cause damage to the process, or the area around the machine.*

**NOTE:** *Information to help you do the procedure, or help you to understand.*

## 1.2 Safety instructions



Make sure that you have the Operator's Manual for the machine you are to install the kit to. Read and obey all safety instructions in the Operator's Manual of the machine before you continue with these instructions

If you do not obey the instructions, there is a risk of injury.

In most conditions you can prevent injuries if you see dangerous situations before an injury occurs.

The person that installs this kit must be an approved technician and have the necessary tools.

Do not change the equipment. An adjustment not specified by the manufacturer can change the function of the machine and cause damage or personal injury.

Only use AGCO approved replacement parts.



**WARNING:**  
**To prevent injury and machine damage, you must:**

- Use the Personal Protective Equipment (PPE) applicable to the task.
  - Eye protection
  - Hand protection
  - Foot protection
  - Ear protection.
- Park the machine on a solid level surface.
- Disengage the PTO, if installed.
- Set the transmission to park and apply the parking brake.
- Set the control console to OFF.
- Stop the engine and remove the key.
- Look and listen! Wait for the parts that move to stop before you start the work.
- Put wheel chocks in front of and behind the wheels before you do work on or below the machine.
- Remove or release all sources of energy, for example:
  - Disconnect the battery.
  - Release of pressure from a system.
  - Lock the parts that move.
- Clean the oil, dirt, and crop material from the area on the machine where you do the work.

Good safety procedures prevent accidents to you and each person near you.

### 1.3 Waste disposal

Incorrect disposal of waste can cause pollution to the environment. Some examples of dangerous waste materials include oil, fuel, coolant, battery chemicals and air-conditioning refrigerant.

- Only use an approved container to collect the waste material. Always seal the container after you drain the fluids.
- Do not drain or spill waste on the ground, down a water drainage system or into water sources.
- Air-conditioning refrigerant released into the air can cause damage to the environment. The local regulations recommend that only an approved technician removes and recycles the air-conditioning refrigerant.
- Obey pollution laws.
- Speak with the local authorities on the correct procedure to discard of the waste.

Recycling centres or approved dealers have the correct equipment for the disposal of used oil.

Do not discard material with this symbol in the general waste.

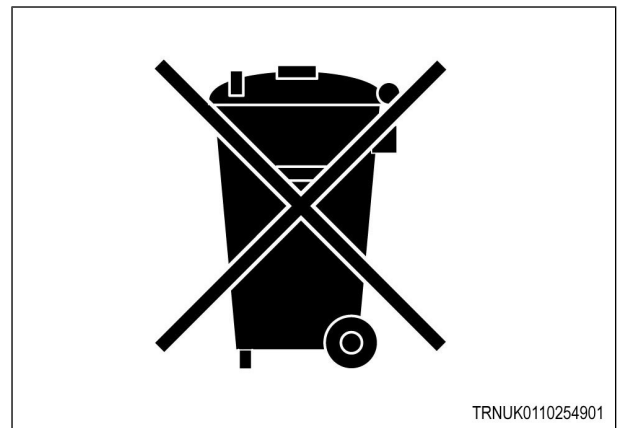


Fig. 2

Recycle used materials with this symbol.

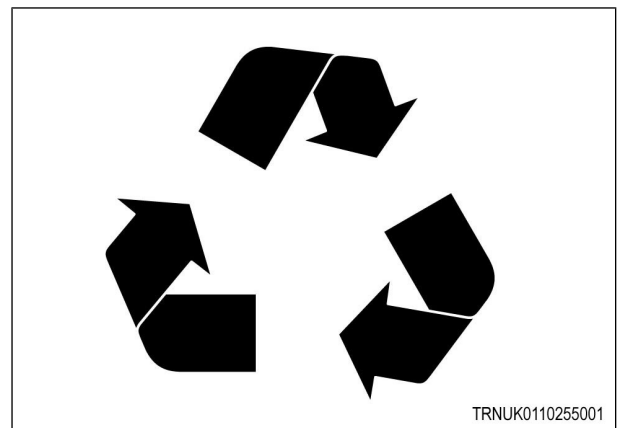


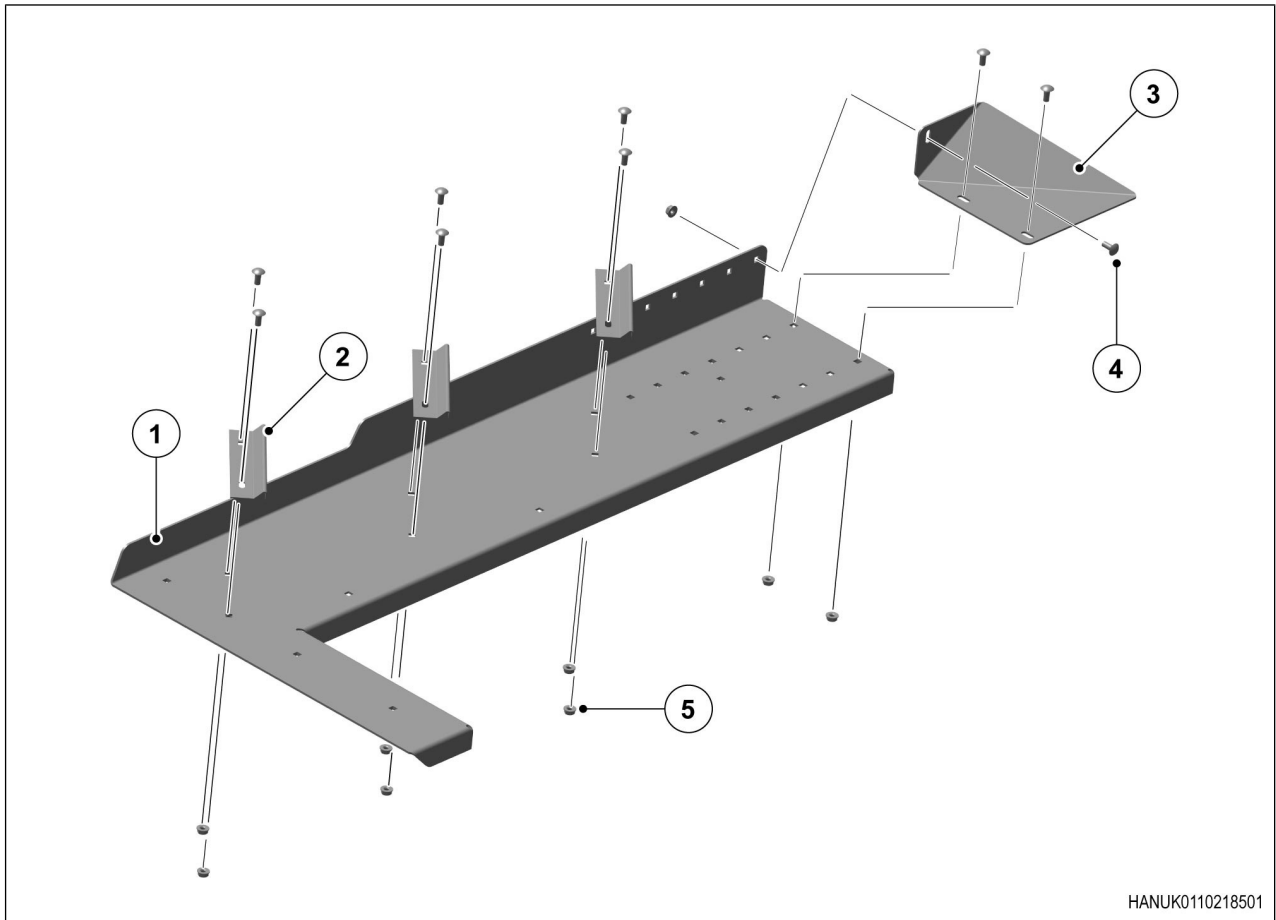
Fig. 3





## 2.1 Bill of materials

Use this kit to change the specification of the machine.

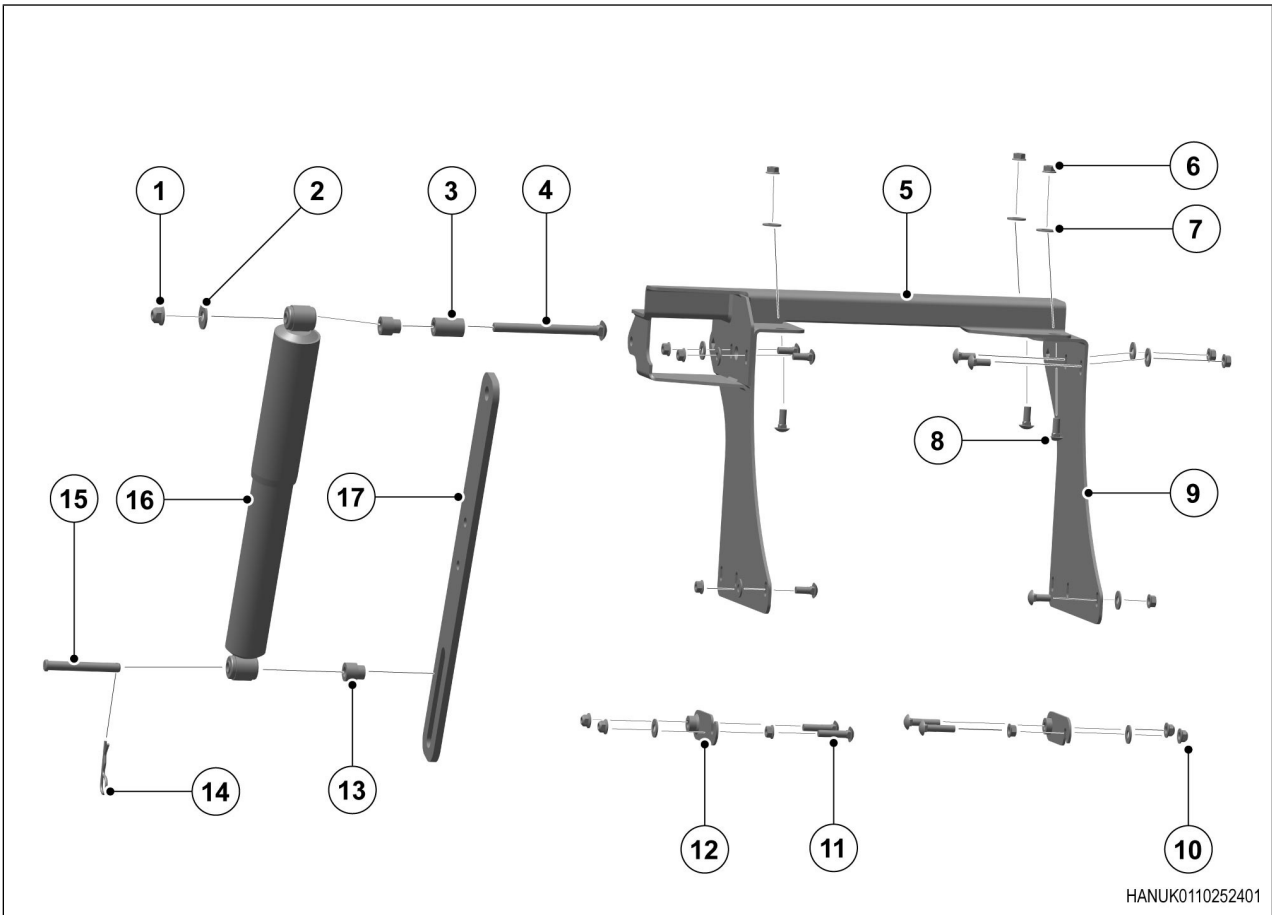


HANUK0110218501

Fig. 1

Kit number: **ACX3744410**

Number	Part number	Description	Quantity
(1)	ACX3744870	Chute ramp	1
(2)	6856520	Chute ramp angle stop	3
(3)	ACX3202670	Chute ramp bale turn	1
(4)	700013	Carriage bolt - 5/16 x 3/4	9
(5)	71432179	Nut - 5/16	9



HANUK0110252401

Fig. 2

Kit number: ACX3202880

Number	Part number	Description	Quantity
(1)	704742	Locknut - 1/2	1
(2)	700711557	Washer, wide - 1/2	1
(3)	6234710	Spacer	1
(4)	7770837	Carriage bolt - 1/2 x 6	1
(5)	ACX3744250	Frame	1
(6)	700711238	Nut - 3/8	11
(7)	700702916	Washer, wide - 3/8	13
(8)	700047	Carriage bolt - 3/8 x 1	9
(9)	ACX3202840	Support bracket	1
(10)	704734	Locknut - 3/8	4
(11)	068767	Carriage bolt - 3/8 x 1-3/4	4
(12)	ACX3744900	Bushing strap	2
(13)	ACX4481300	Bushing	2
(14)	062349	Cotter pin	1
(15)	762328	Pin	1

Number	Part number	Description	Quantity
(16)	ACX4697380	Shock absorber	1
(17)	ACX4652580	Plate	1

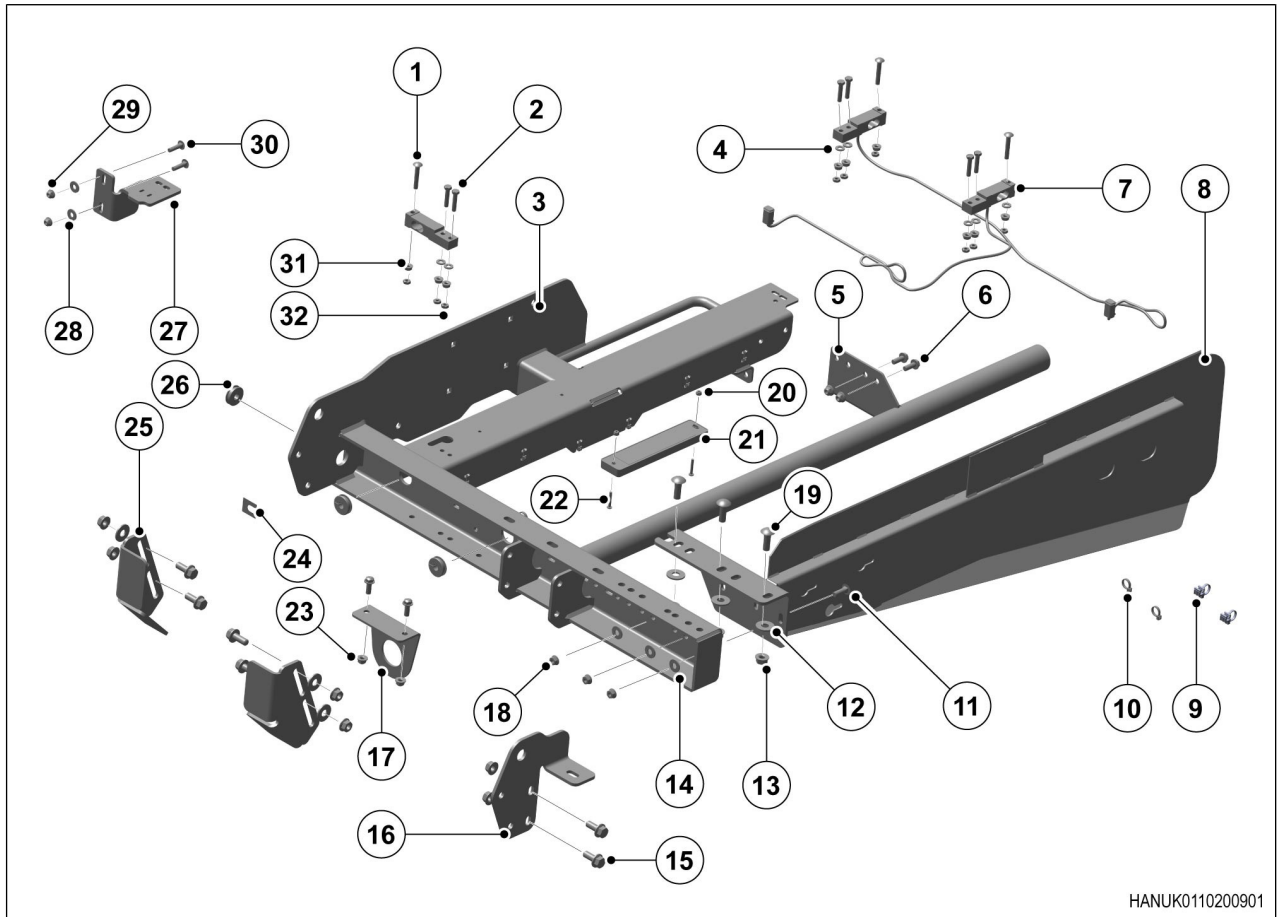


Fig. 3

Kit number: ACX3744030

Number	Part number	Description	Quantity
(1)	7770324	Carriage bolt - 5/16 x 2	3
(2)	7701717	Hex bolt - 5/16 x 1-1/2	6
(3)	ACX3744040	Frame	1
(4)	705525	Washer - 5/16	9
(5)	ACX4196720	Bale stop	1
(6)	7883382	Hex bolt - 3/8 x 1	4
(7)	ACX3744110	Load sensor	3
(8)	ACX3744160	Arm	1
(9)	71451548	Cable tie - edge	2
(10)	7724347	Cable tie	8
(11)	700054	Carriage bolt - 3/8 x 1-1/4	3
(12)	700711557	Washer, wide - 1/2	9

Number	Part number	Description	Quantity
(13)	700714586	Nut - 1/2	9
(14)	700702916	Washer, wide - 3/8	3
(15)	700710984	Hex bolt - 1/2 x 1-1/4	6
(16)	ACX3744200	Support bracket	1
(17)	ACX4196410	Support bracket	1
(18)	700711238	Nut - 3/8	3
(19)	7700156	Carriage bolt - 1/2 x 1-1/2	3
(20)	67741	Locknut - 10-24	2
(21)	ACX3743400	Load sensor module	1
(22)	102624	Phillips pan head bolt - 10-24	2
(23)	704734	Locknut - 3/8	4
(24)	71452936	Shim	1
(25)	ACX3744280	Stop bracket	2
(26)	700741601	Grommet	3
(27)	ACX4084270	Support bracket	1
(28)	700709602	Washer, wide - 5/16	2
(29)	704726	Locknut - 5/16	2
(30)	7700107	Carriage bolt - 5/16 x 1-1/4	2
(31)	71432179	Nut - 5/16	9
(32)	704478	Half nut - 5/16	9

## 3.1 Preparation

### 3.1.1 Remove the existing chute

#### Procedure

1. Use the applicable equipment to hold the existing chute.
2. Remove the nuts (3), the washers (2), the bolts (1) and the shock absorber (4).

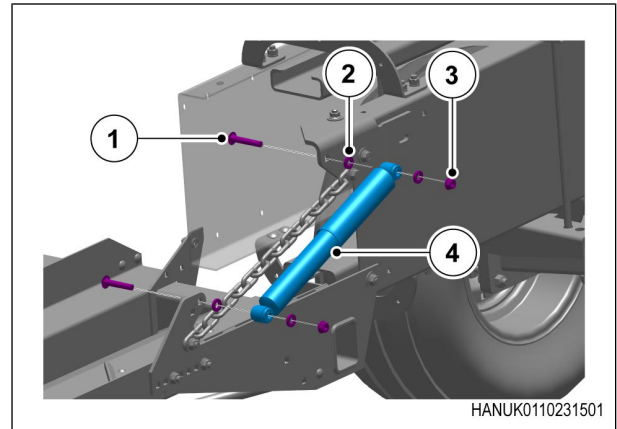


Fig. 1

3. Remove the nut (3), the washer (2) and the bolt (1).
4. Move the chain (4) to the side.

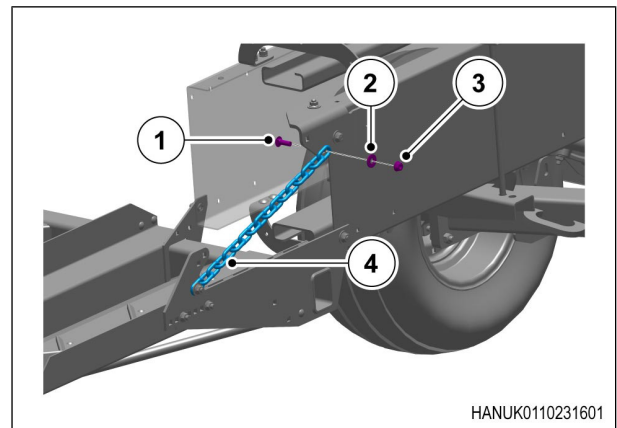


Fig. 2

5. Remove the nuts (4), the washers (3) and the bolts (2).
6. Remove the existing chute (1).

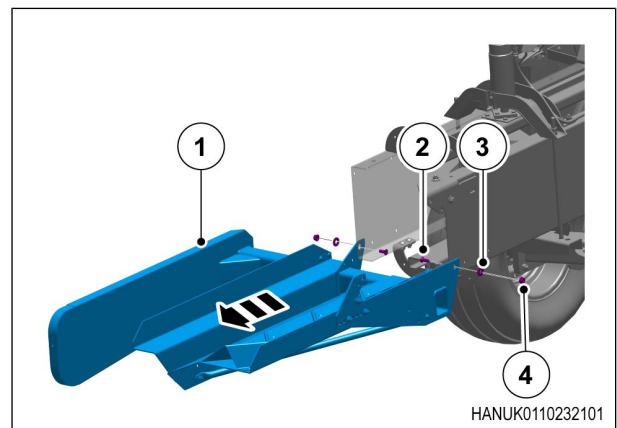


Fig. 3

### 3.1.2 Assemble the SimplEbaler chute (quarter turn)

**Procedure**

1. Install the arm (3) to the frame (1).

**NOTE:** The outer edge of the arm must be 6.25 inches from the outer edge of the frame.

2. Install the bolts (2), washers (4) and the nuts (5).

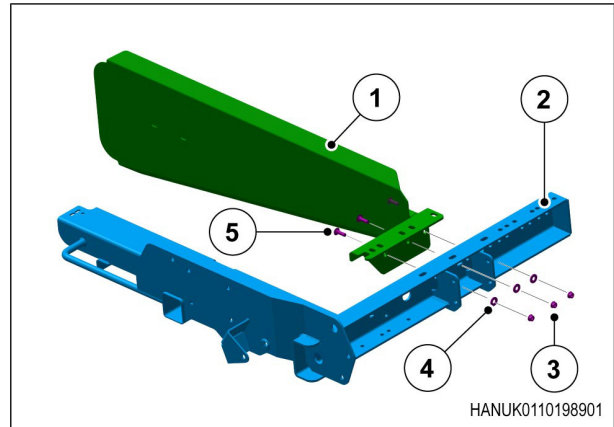


Fig. 4

Number	Part number	Description	Quantity
(1)	ACX3744040	Frame	1
(2)	700054	Carriage bolt - 3/8 x 1-1/4	3
(3)	ACX3744160	Arm	1
(4)	700702916	Washer, wide - 3/8	3
(5)	700711238	Nut - 3/8	3

3. Install the bolts (1), washers (2) and the nuts (3).

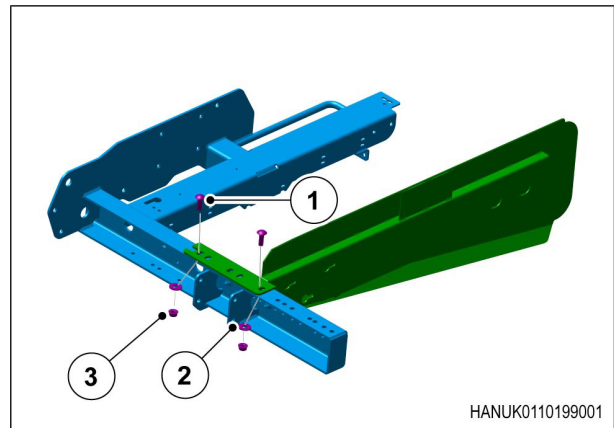


Fig. 5

Number	Part number	Description	Quantity
(1)	7700156	Carriage bolt - 1/2 x 1-1/2	2
(2)	700711557	Washer, wide - 1/2	2
(3)	700714586	Nut - 1/2	2

4. Install the support bracket (1).

**NOTE:** Position the support bracket to the left side of the of the right frame mounting tab when seen from the rear.

5. Install the bolts (2) and (3), the washers (4) and the nuts (5).

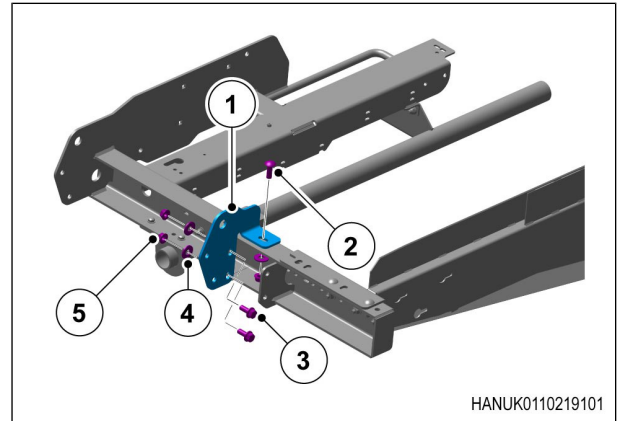


Fig. 6

Number	Part number	Description	Quantity
(1)	ACX3744200	Support bracket	1
(2)	7700156	Carriage bolt - 1/2 x 1-1/2	1
(3)	700710984	Hex bolt - 1/2 x 1-1/4	2
(4)	700711557	Washer, wide - 1/2	3
(5)	700714586	Nut - 1/2	3

6. Install the bale stop (4).

**NOTE:** Position the bale stop and bracket to the right side bolt holes when seen from the rear.

7. Install the support bracket (3).
8. Install the bolts (1) and the nuts (2).

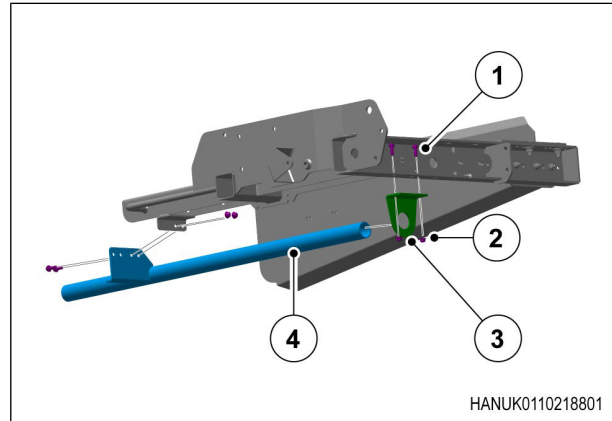


Fig. 7

Number	Part number	Description	Quantity
(1)	7883382	Hex bolt - 3/8 x 1	4
(2)	704734	Locknut - 3/8	4
(3)	ACX4196410	Support bracket	1
(4)	ACX4196720	Bale stop	1

9. Install the support bracket (5).
10. Measure the top surface of the support bracket and the frame with a straight edge to see if the surfaces are on equal planes.  
**NOTE:** If the surfaces are not on equal planes, install the shim (1).
11. Install the bolts (4), the washers (2) and the nuts (3).

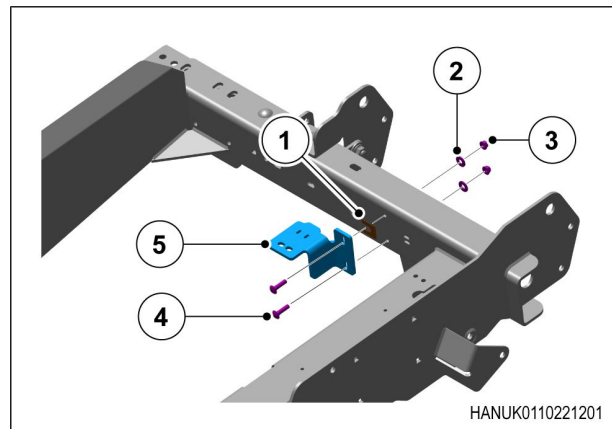


Fig. 8

Number	Part number	Description	Quantity
(1)	71452936	Shim	1
(2)	700709602	Washer, wide - 5/16	2
(3)	704726	Locknut - 5/16	2
(4)	7700107	Carriage bolt - 5/16 x 1-1/4	2
(5)	ACX4084270	Support bracket	1



12. Install the stop brackets (3).
13. Install the bolts (2), the washers (4) and the nuts (1).
14. Make sure that the parts are loosely assembled.

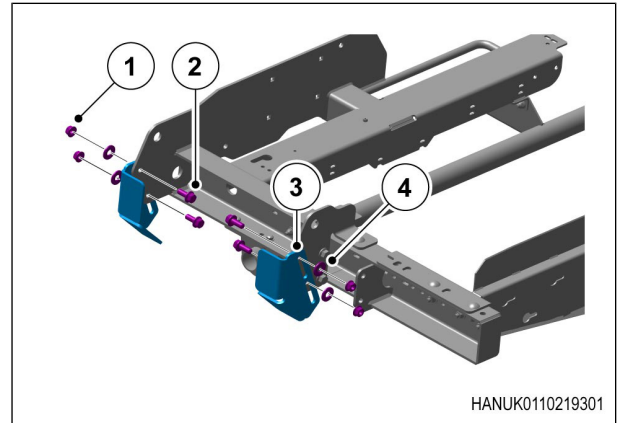


Fig. 9

Number	Part number	Description	Quantity
(1)	700714586	Nut - 1/2	4
(2)	700710984	Hex bolt - 1/2 x 1-1/4	4
(3)	ACX3744280	Stop bracket	1
(4)	700711557	Washer, wide - 1/2	4

- 15. Install the load sensors (2).
- 16. Install the bolts (1).

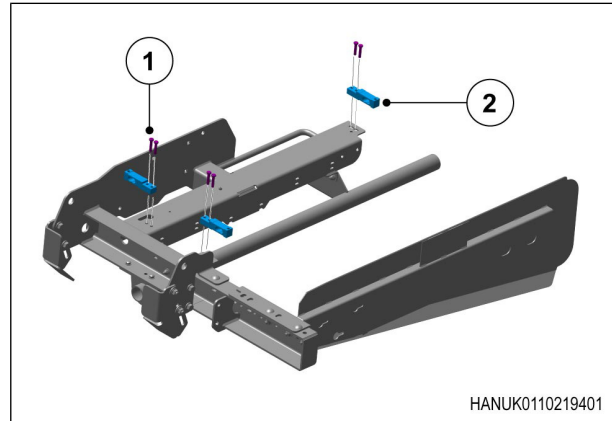


Fig. 10

Number	Part number	Description	Quantity
(1)	7701717	Hex bolt - 5/16 x 1-1/2	6
(2)	ACX3744110	Load sensor	2

- 17. Install the washers (1) and the nuts (2) and (3).

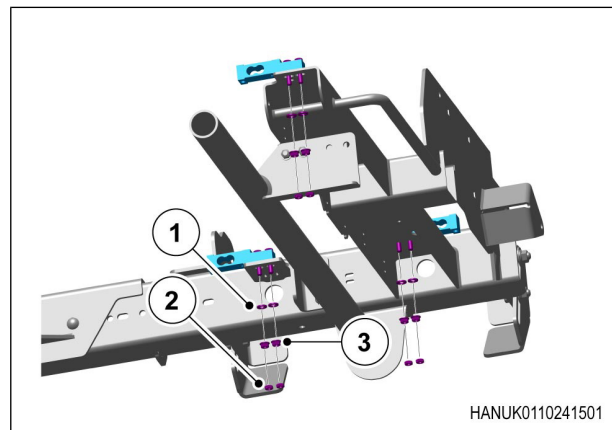


Fig. 11

Number	Part number	Description	Quantity
(1)	705525	Washer - 5/16	6
(2)	704478	Half nut - 5/16	6
(3)	71432179	Nut - 5/16	6

- 18. Install the load sensor module (3) and the fastener (2).
- 19. Install the nuts (1).

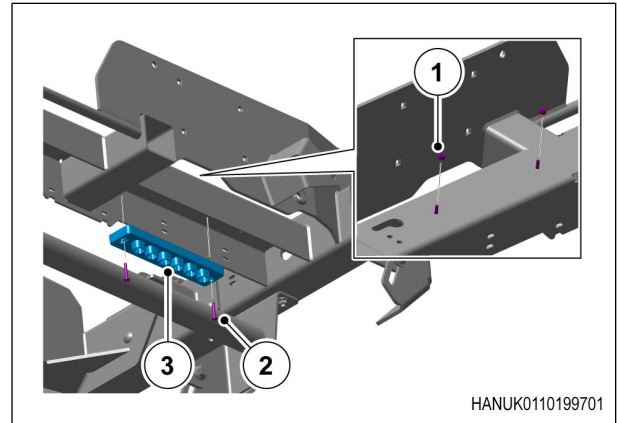


Fig. 12

Number	Part number	Description	Quantity
(1)	67741	Locknut 10-24	2
(2)	102624	Phillips pan head bolt 10-24	2
(3)	ACX3743400	Load sensor module	1

- 20. Move the wiring harness through the holes in the chute frame.
- 21. Connect the electrical connector to the load sensor module.
- 22. Install the cable tie (1).

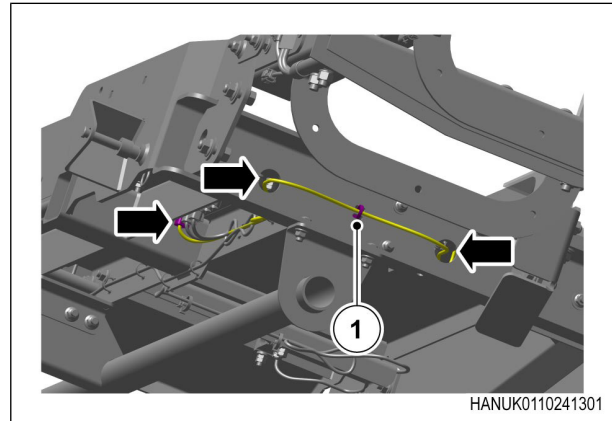


Fig. 13

Number	Part number	Description	Quantity
(1)	7724347	Cable tie	1

- 23. Move the wiring harness through the hole in the chute frame.
- 24. Connect the electrical connectors to the load sensor module.
- 25. Install the cable ties (1).

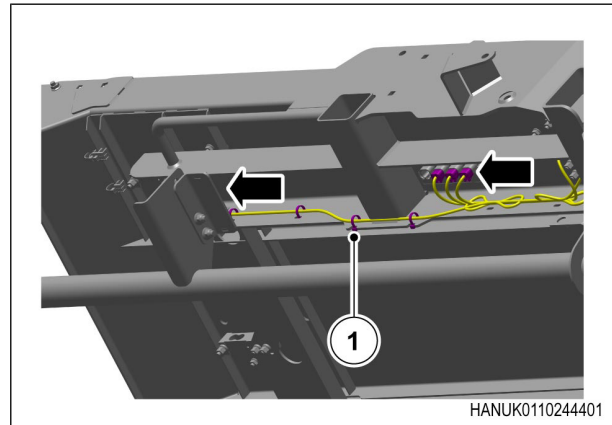


Fig. 14

Number	Part number	Description	Quantity
(1)	7724347	Cable tie	4

- 26. Install the chute ramp bale turn (2) to the chute ramp (4).
- 27. Install the bolts (1) and the nuts (3).

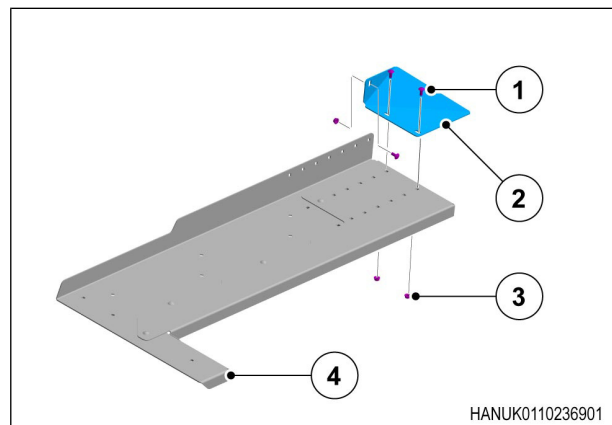


Fig. 15

Number	Part number	Description	Quantity
(1)	700013	Carriage bolt - 5/16 x 3/4	1
(2)	ACX3744370	Chute ramp turn	3
(3)	71432179	Nut - 5/16	1
(4)	ACX3744870	Chute ramp	3

- 28. Install the chute ramp angle stops (4) to the chute ramp (1).
- 29. Install the bolts (2) and the nuts (3).

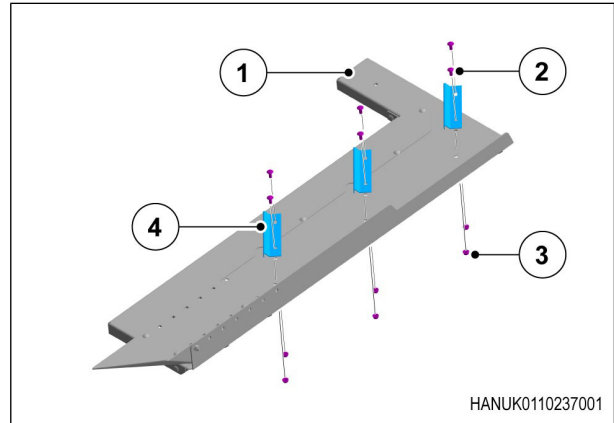


Fig. 16

Number	Part number	Description	Quantity
(1)	ACX3744870	Chute ramp	3
(2)	700013	Carriage bolt - 5/16 x 3/4	6
(3)	71432179	Nut - 5/16	6
(4)	6856520	Chute ramp angle stop	1

## 3.2 Installation

### 3.2.1 Install the mounting brackets

#### Procedure

1. Install the support bracket (1) to the chute.
2. Install the bolts (2), the washers (3) and the nuts (4).

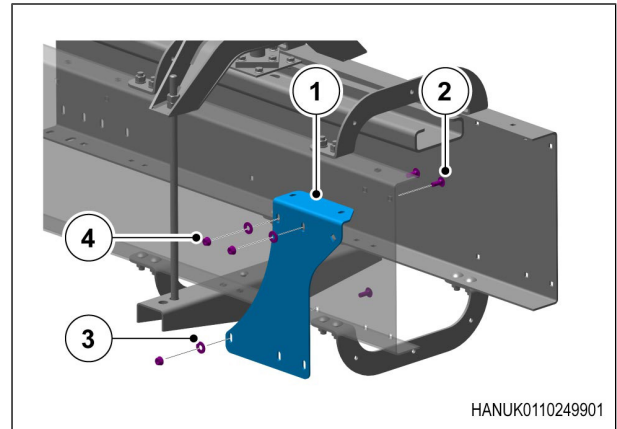


Fig. 17

Number	Part number	Description	Quantity
(1)	ACX3202840	Support bracket	1
(2)	700047	Carriage bolt - 3/8 x 1	3
(3)	700702916	Washer, wide - 3/8	3
(4)	700711238	Nut - 3/8	3

3. Install the frame (1).
4. Install the bolts (4), the washers (2) and the nuts (3).

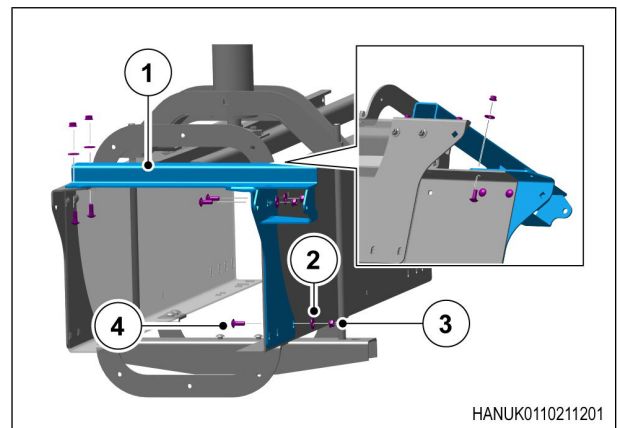


Fig. 18

Number	Part number	Description	Quantity
(1)	ACX3744250	Frame	1
(2)	700702916	Washer, wide - 3/8	6
(3)	700711238	Nut - 3/8	6
(4)	700047	Carriage bolt - 3/8 x 1	6

### 3.2.2 Install the SimpleBale chute (quarter-turn)

**Procedure**

1. Use the applicable equipment to lift the chute ramp.
2. Install the chute ramp onto the machine.

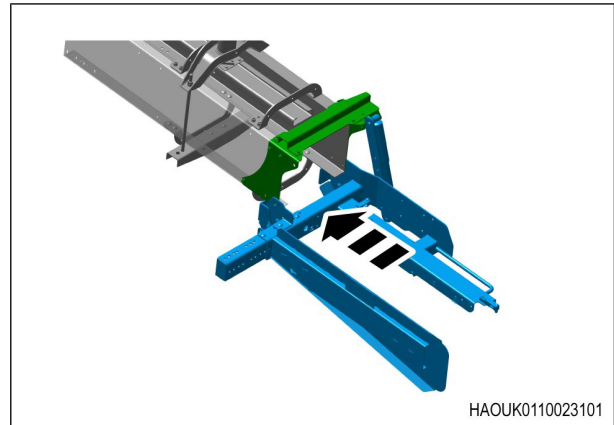


Fig. 19

3. Install the bolts (3).
4. Install the washer (1), the nut (2), the bushing strap (4).
5. Install the washer (1) and the nuts (5).

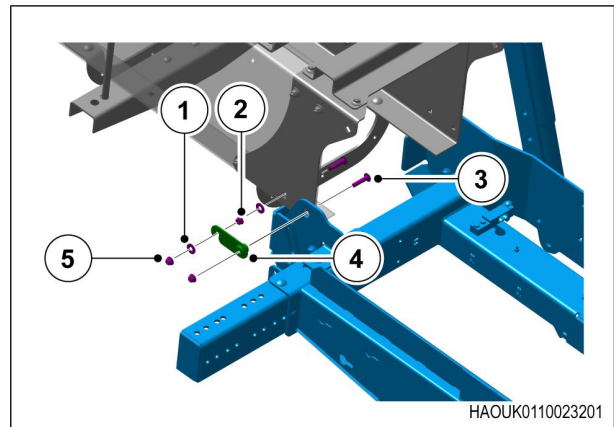


Fig. 20

Number	Part number	Description	Quantity
(1)	700702916	Washer, wide - 3/8	2
(2)	700711238	Nut - 3/8	1
(3)	068767	Carriage bolt - 3/8 x 1-3/4	2
(4)	ACX3744900	Bushing strap	1
(5)	704734	Locknut - 3/8	3



6. Install the bolts (5).
7. Install the washer (2), the nut (1), the bushing strap (4).
8. Install the washer (2) and the nuts (3).

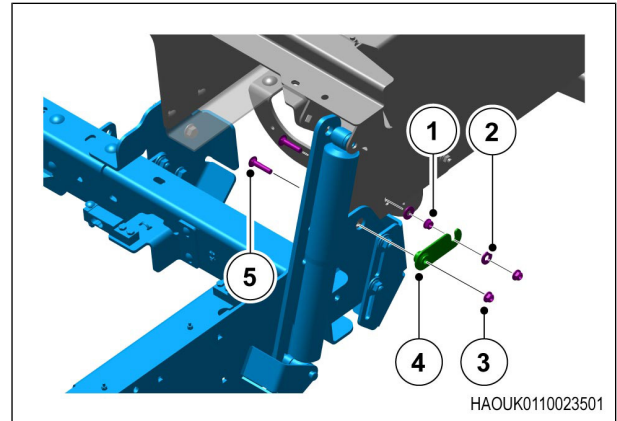


Fig. 21

Number	Part number	Description	Quantity
(1)	700711238	Nut - 3/8	1
(2)	700702916	Washer, wide - 3/8	2
(3)	704734	Locknut - 3/8	2
(4)	ACX3744900	Bushing strap	1
(5)	068767	Carriage bolt - 3/8 x 1-3/4	2

9. Position the bale chute to correct position.
10. Tighten the bolts (3) and the nuts (2) for the stop brackets (1).

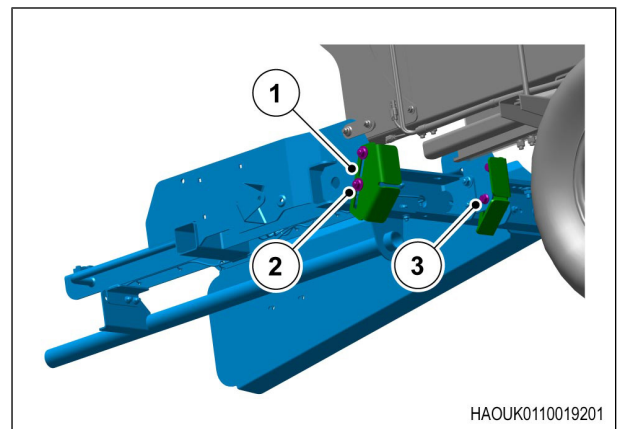


Fig. 22

11. Install the shock absorber, the spacer (5) and the bushing (2).
12. Install the bolt (1), the spacer (5), the washer (3) and the nut (4).

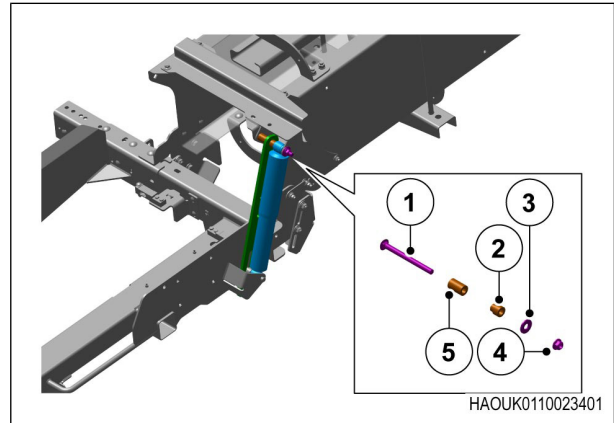


Fig. 23

Number	Part number	Description	Quantity
(1)	7770837	Carriage bolt - 1/2 x 6	1
(2)	ACX4481300	Bushing	1
(3)	700711557	Washer, wide - 1/2	1
(4)	704742	Locknut - 1/2	1
(5)	6234710	Spacer	1

13. Install the bushing (2).
14. Compress the shock absorber (4) and install the pin (3).

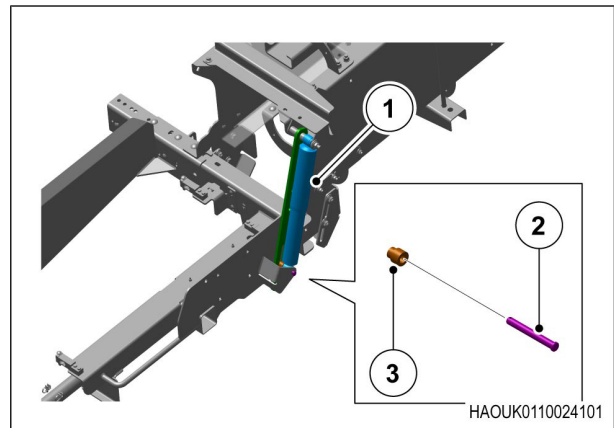


Fig. 24

Number	Part number	Description	Quantity
(1)	ACX4652580	Plate	1
(2)	ACX4481300	Bushing	1
(3)	762328	Pin	1
(4)	ACX4697380	Shock absorber	1

15. Install the cotter pin (1).

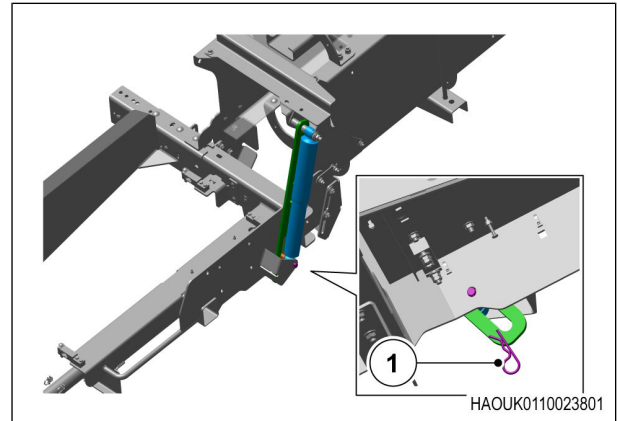


Fig. 25

Number	Part number	Description	Quantity
(1)	062349	Cotter pin	1

16. Move the wiring harness through the holes in the chute frame.

17. Install the electrical connector to the load sensor module.

18. Install the cable ties (1).

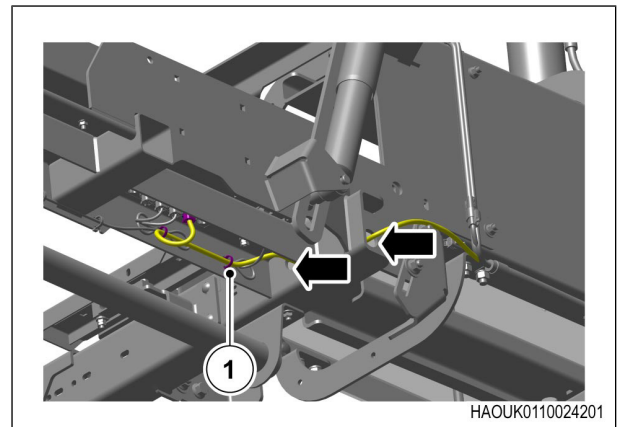


Fig. 26

Number	Part number	Description	Quantity
(1)	7724347	Cable tie	2



19. Install the grommets (1).
20. Power on the Ag CoPilot monitor and navigate to the bale scale run screen.
21. View the load sensors and set the load sensors to zero.

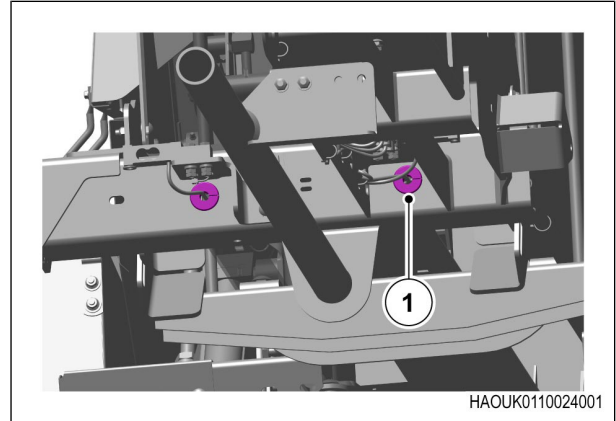


Fig. 27

Number	Part number	Description	Quantity
(1)	700741601	Grommet	3

22. Install the chute ramp (2) to the frame (3).
23. Install the 3 bolts (1).

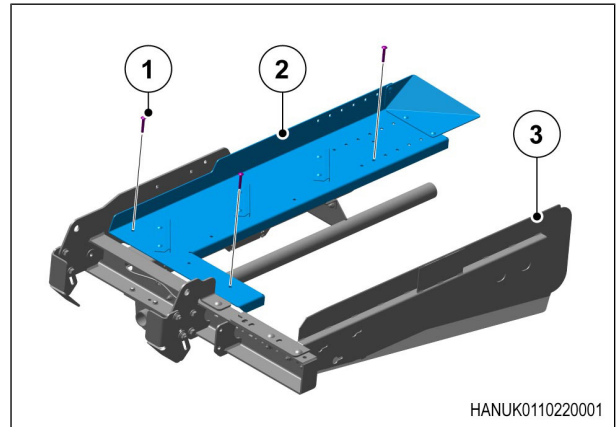


Fig. 28

Number	Part number	Description	Quantity
(1)	7770324	Carriage bolt - 5/16 x 2	3

24. Install the washers (1) and the nuts (2) and (3).

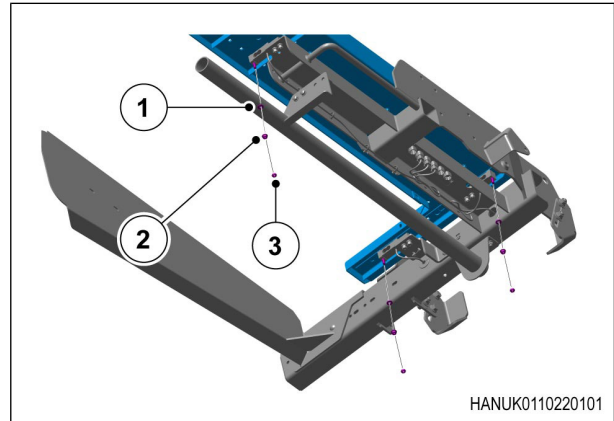


Fig. 29

Number	Part number	Description	Quantity
(1)	705525	Washer - 5/16	3
(2)	71432179	Nut - 5/16	3
(3)	704478	Half nut - 5/16	3

- 25. Use the special tool (1) to set up the load sensors (2).
- 26. Power on the Ag CoPilot monitor and navigate to the bale scale run screen, view the load sensors.
- 27. If the value is 25 lbs or higher between the load sensors, adjust the support bracket until a maximum value of 25 lbs is between the load sensors.
- 28. View the load sensors and set the load sensors to zero.

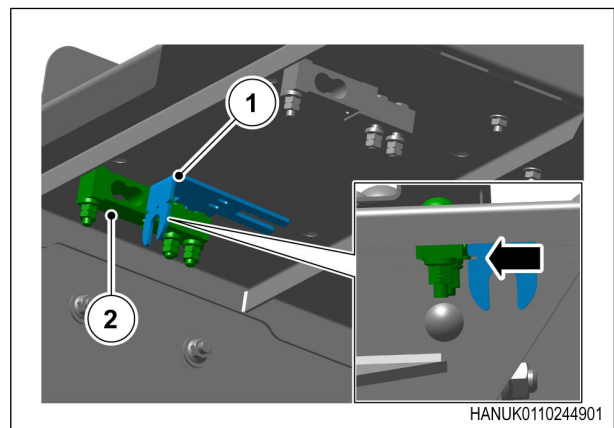


Fig. 30

Number	Part number	Description	Quantity
(1)	ACX4656760	Special tool	1
(2)	ACX3744110	Load sensor	3

## 3.3 Calibration

---

### 3.3.1 Calibrate the scale

---

#### Procedure

1. Position a bale with known weight on to the scale.
2. View the scale reading on the Ag CoPilot monitor.
3. Manually enter in a scale offset adjustment on the Ag CoPilot monitor if necessary.
4. Position a second bale with a known weight on to the scale.
5. View the scale reading on the Ag CoPilot monitor.
6. Manually enter in a scale offset adjustment on the Ag CoPilot monitor if necessary.

#### After finishing the procedure

Do a check of the operation of the chute.

