

Assembly Instructions



Simplebale - Road lamp kit
Kit number: ACX3743740



CALIFORNIA

Proposition 65 Warning

WARNING: Diesel engine exhaust and some of its constituents are known to the State of California to cause cancer, birth defects, and other reproductive harm.

WARNING: Battery posts, terminals and related accessories contain lead and lead compounds, chemicals known to the State of California to cause cancer, birth defects, and other reproductive harm.

How to use this manual

Transport damage and missing parts

Examine the machine and parts carefully for possible damage that occurred during transport. Speak to the person that is responsible for transport immediately if you find damage.

Make an order for missing parts.

General

If more assistance is necessary you should speak to your AGCO dealer.

This manual is only applicable to the models specified on the front cover.

Fastener torques

Always replace fasteners with fasteners of the same specification. Tighten all fasteners to the correct torque values.

You can find the list of torque values in the service manual or the assembly instructions of the machine. If the torque value is different, it is specified in the procedure.







Special tools

If it is necessary to use a special tool in a procedure, the tool identification is specified in the procedure.

Illustrations

The illustrations do not always show the same machine specification or machine configuration. The procedure is the same unless the instruction tells you differently.

The illustrations in this manual use a color system to help you follow the instruction correctly.

Color	Description	Functions
	Target/focus item The primary component in the step is this color.	Primary component, decal location, component location
	Connectors, fasteners All components that attach the primary component to a different component are this color.	Fasteners, electrical connectors
	Primary alternative If there are 2 primary components in the illustration, 1 of the 2 components is this color.	Secondary component
	Secondary alternative If there are 3 primary components in the illustration, 1 of the 3 components is this color.	Tertiary component
	Special tool Where the special tools or equipment are in an illustration, they are this color.	Pressure gauges, specified tools
	Parts that you move A component that you must move, and that is not necessary to remove from the machine.	Electrical wires, hydraulic hoses

Part number references

All parts that are supplied in the kit are referenced in the bill of materials.

Each part is added to a table in the installation steps, below is an example.

Number	Part number	Description	Quantity
(1)	X446235234000	Long key	5
(2)	X446234100000	Short key	2
(3)	653620031930	Shaft	1

- Number - As shown in the illustration
- Part number - Component part number
- Description - Component name
- Quantity - Number of components required for the step

1.1 Safety icons

The safety warnings show in the manual with these icons:



DANGER:

This is an immediately dangerous situation which, if you ignore it, will cause death or injury.



WARNING:

This is an immediately dangerous situation which, if you ignore it, can cause death or injury.



CAUTION:

This is an immediately dangerous situation which, if you ignore it, can cause injury.



Fig. 1

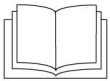
Secondary information

2 types of secondary information are shown when necessary.

IMPORTANT: *This identifies special instructions or procedures which, if not followed can cause damage to the machine. It might also cause damage to the process, or the area around the machine.*

NOTE: *Information to help you do the procedure, or help you to understand.*

1.2 Safety instructions



Make sure that you have the Operator's Manual for the machine you are to install the kit to. Read and obey all safety instructions in the Operator's Manual of the machine before you continue with these instructions

If you do not obey the instructions, there is a risk of injury.

In most conditions you can prevent injuries if you see dangerous situations before an injury occurs.

The person that installs this kit must be an approved technician and have the necessary tools.

Do not change the equipment. An adjustment not specified by the manufacturer can change the function of the machine and cause damage or personal injury.

Only use AGCO approved replacement parts.



WARNING:
To prevent injury and machine damage, you must:

- Use the Personal Protective Equipment (PPE) applicable to the task.
 - Eye protection
 - Hand protection
 - Foot protection
 - Ear protection.
- Park the machine on a solid level surface.
- Disengage the PTO, if installed.
- Set the transmission to park and apply the parking brake.
- Set the control console to OFF.
- Stop the engine and remove the key.
- Look and listen! Wait for the parts that move to stop before you start the work.
- Put wheel chocks in front of and behind the wheels before you do work on or below the machine.
- Remove or release all sources of energy, for example:
 - Disconnect the battery.
 - Release of pressure from a system.
 - Lock the parts that move.
- Clean the oil, dirt, and crop material from the area on the machine where you do the work.

Good safety procedures prevent accidents to you and each person near you.

1.3 Waste disposal

Incorrect disposal of waste can cause pollution to the environment. Some examples of dangerous waste materials include oil, fuel, coolant, battery chemicals and air-conditioning refrigerant.

- Only use an approved container to collect the waste material. Always seal the container after you drain the fluids.
- Do not drain or spill waste on the ground, down a water drainage system or into water sources.
- Air-conditioning refrigerant released into the air can cause damage to the environment. The local regulations recommend that only an approved technician removes and recycles the air-conditioning refrigerant.
- Obey pollution laws.
- Speak with the local authorities on the correct procedure to discard of the waste.

Recycling centres or approved dealers have the correct equipment for the disposal of used oil.

Do not discard material with this symbol in the general waste.

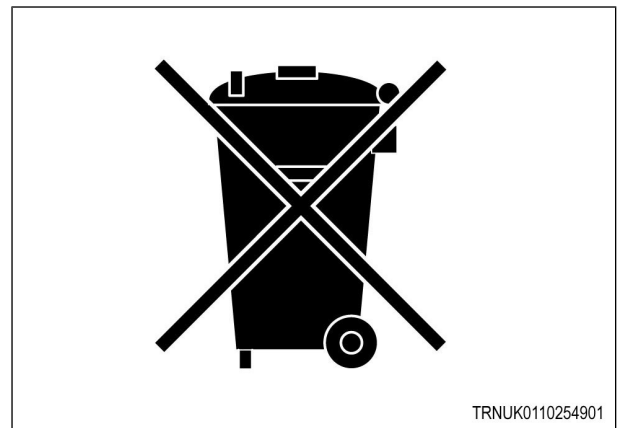


Fig. 2

Recycle used materials with this symbol.

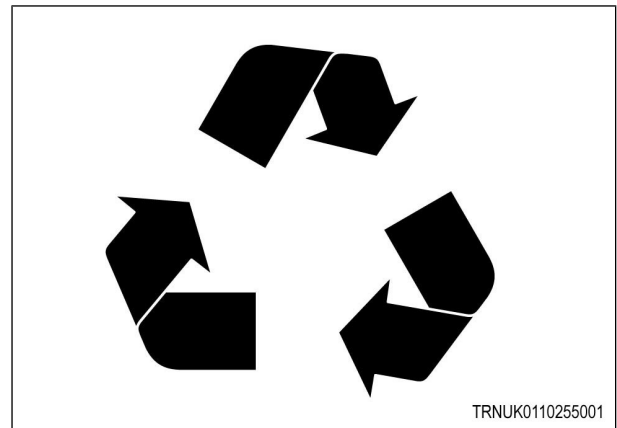
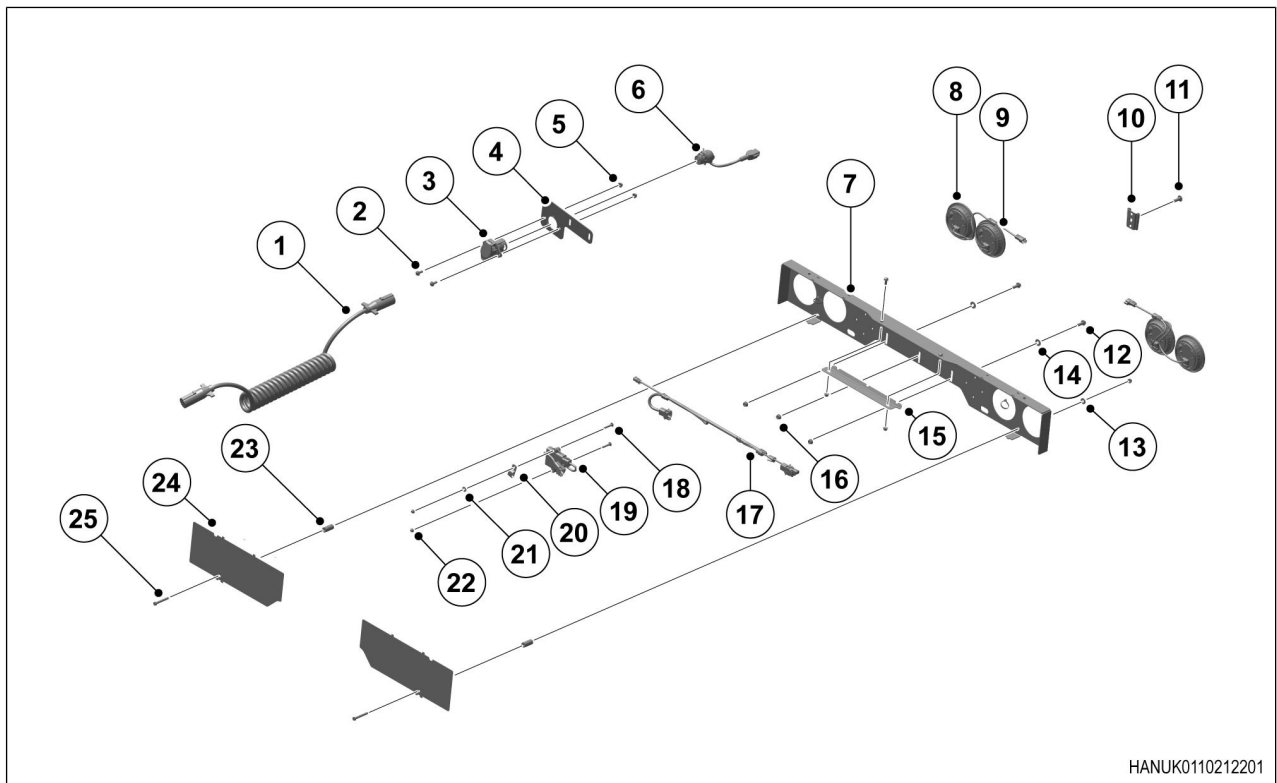


Fig. 3

2.1 Bill of materials



HANUK0110212201

Fig. 1

Number	Part number	Description	Quantity
(1)	700748473	Wiring harness	1
(2)	7883325	Bolt - 5/16 x 3/4	4
(3)	700742795	Socket	1
(4)	ACX4201110	Bracket	1
(5)	704726	Nut - 5/16	6
(6)	700742794	Adapter harness	1
(7)	ACX4185220	Frame	1
(8)	ACX2972520	Lamp - amber	2
(9)	ACX2972530	Lamp - red	2
(10)	700746128	Bracket	1
(11)	700047	Carriage bolt - 3/8 x 1	1
(12)	7883382	Bolt - 3/8 x 1	2
(13)	700709602	Washer - 5/16	2
(14)	700702916	Washer - 3/8	2
(15)	ACX3743880	Bracket	1
(16)	700711238	Nut - 3/8	3
(17)	ACX3745020	Wiring harness	1
(18)	7770183	Carriage bolt - 1/4 x 1	2
(19)	700748478	Module	1

Number	Part number	Description	Quantity
(20)	70932619	Clamp	1
(21)	700709601	Washer - 1/4	2
(22)	1703354	Nut - 1/4	2
(23)	6828107	Spacer	2
(24)	ACX4186320	Plate	2
(25)	7703945	Bolt - 5/16 x 2	2
(-)	7724347	Cable tie	-

3.1 Preparation

3.1.1 Assemble the road lamp kit

Procedure

1. Install the socket (4) to the bracket (1) with the bolts (5) and the nuts (3).
2. Connect the adapter harness (2).

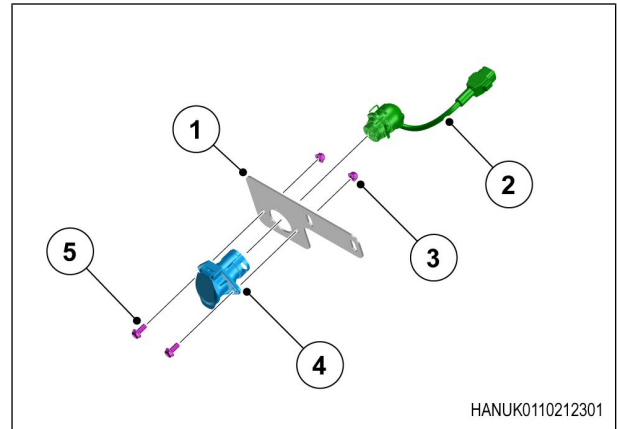


Fig. 1

Number	Part number	Description	Quantity
(1)	ACX4201110	Bracket	1
(2)	700742794	Adapter harness	1
(3)	704726	Nut - 5/16	2
(4)	700742795	Socket	1
(5)	7883325	Bolt - 5/16 x 3/4	2

3. Remove the rubber grommets from the lamps.

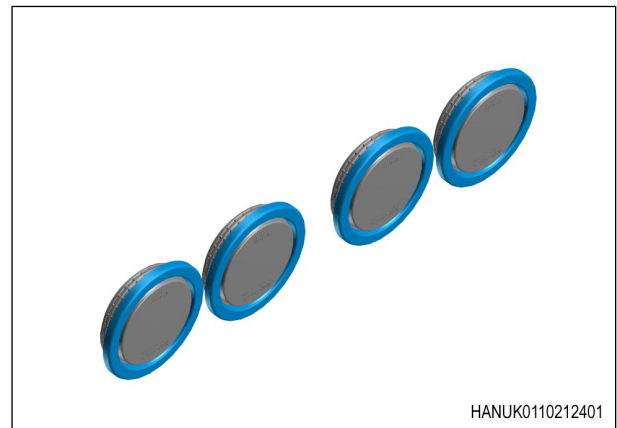


Fig. 2

4. Install the rubber grommets to the frame (1).

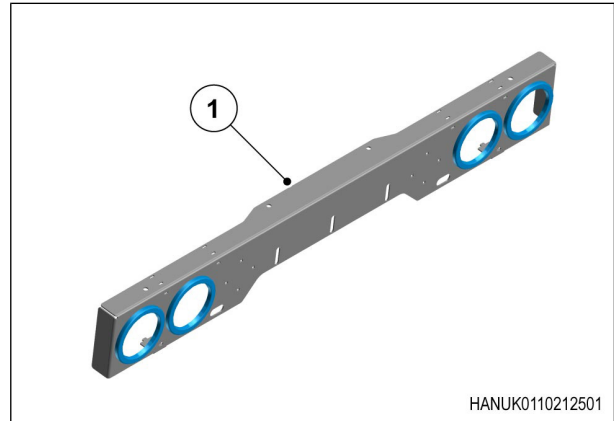


Fig. 3

Number	Part number	Description	Quantity
(1)	ACX4185220	Frame	1

5. Install the lamps (1) and (2) to the frame.

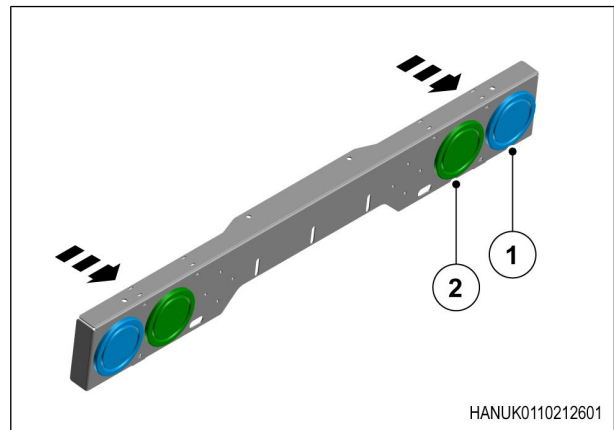


Fig. 4

Number	Part number	Description	Quantity
(1)	ACX2972520	Lamp - amber	2
(2)	ACX2972530	Lamp - red	2

6. Install the module (3) with the bolt (2) and the nut (1).

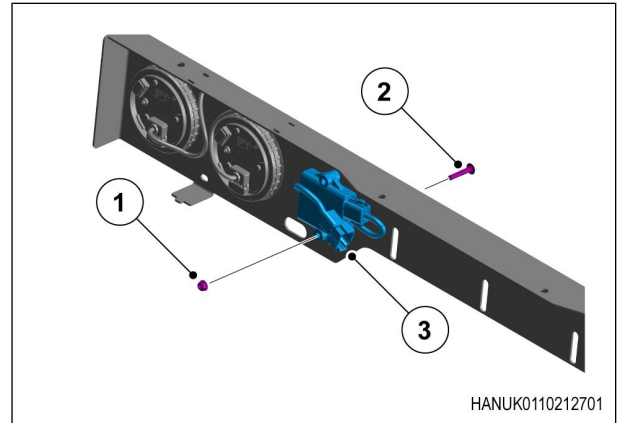


Fig. 5

Number	Part number	Description	Quantity
(1)	1703354	Nut - 1/4	1
(2)	7770183	Carriage bolt - 1/4 x 1	1
(3)	700748478	Module	1

7. Connect the wiring harness (1).

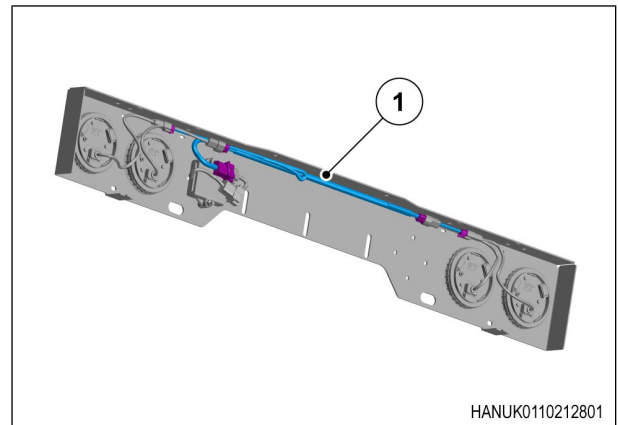


Fig. 6

Number	Part number	Description	Quantity
(1)	ACX3745020	Wiring harness	1

8. Install the clamp (1) with the bolt (2) the washer (3) and the nut (4).

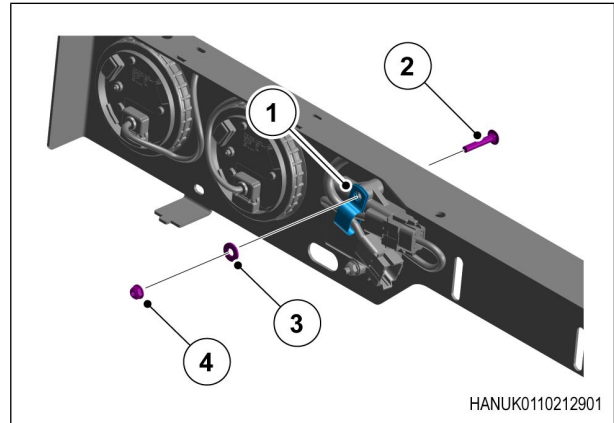


Fig. 7

Number	Part number	Description	Quantity
(1)	70932619	Clamp	1
(2)	7770183	Carriage bolt - 1/4 x 1	1
(3)	700709601	Washer - 1/4	1
(4)	1703354	Nut - 1/4	1

9. Attach the wiring harness to the top of bracket (1) with cable ties.

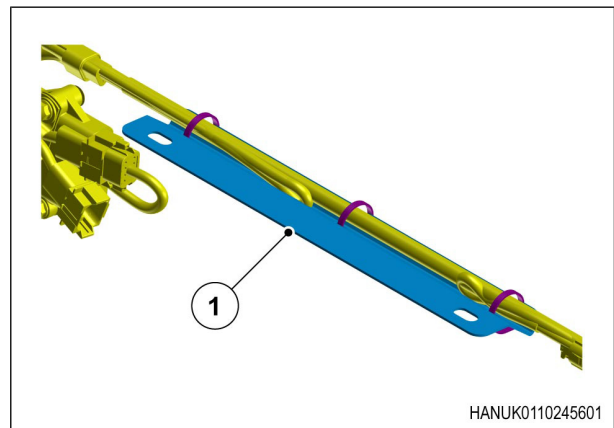


Fig. 8

Number	Part number	Description	Quantity
(1)	ACX3743880	Bracket	1

10. Install the bracket (3) with the bolts (1) and the nuts (2).

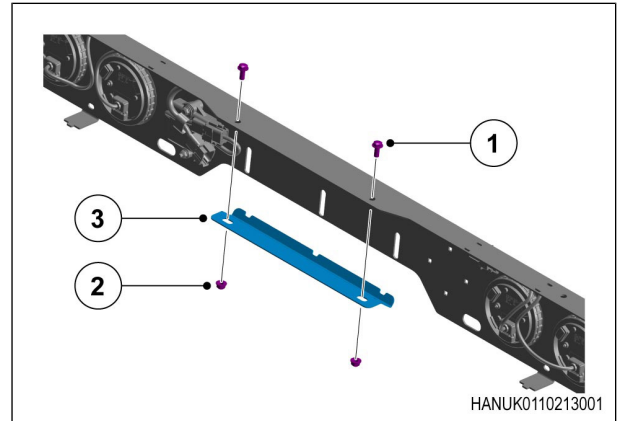


Fig. 9

Number	Part number	Description	Quantity
(1)	7883325	Bolt - 5/16 x 3/4	2
(2)	704726	Nut - 5/16	6
(3)	ACX3743880	Bracket	1
(-)	7724347	Cable tie	3

3.2 Install the road lamp assembly

Procedure

1. Install the socket assembly with the existing fasteners.
2. Connect the electrical connector to the main harness (Kit: ACX3743320).
3. Connect the wiring harness harness (700748473) to the socket assembly, then connect other end to tractor 7 pin connector.

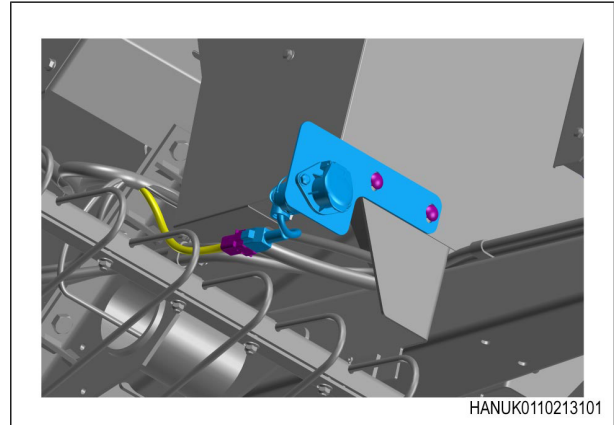


Fig. 10

4. Install the road lamp assembly, with the bolts (2), washers (3) and nuts (1).
5. Connect the electrical connector to the main harness (Kit: ACX3743320).

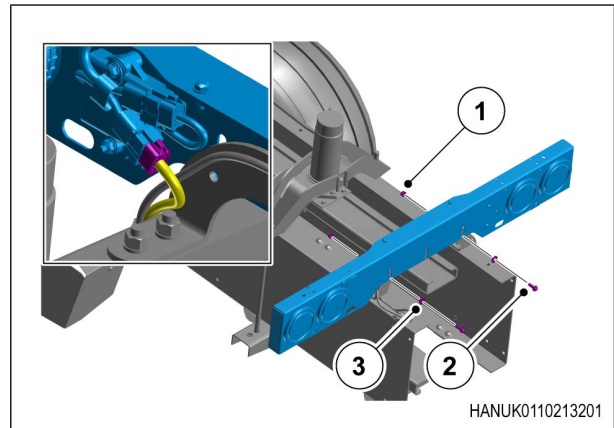


Fig. 11

Number	Part number	Description	Quantity
(1)	700711238	Nut - 3/8	2
(2)	7883382	Bolt - 3/8 x 1	2
(3)	700702916	Washer - 3/8	2

6. Install the bracket (2) with the bolt (3) and the nut (1).

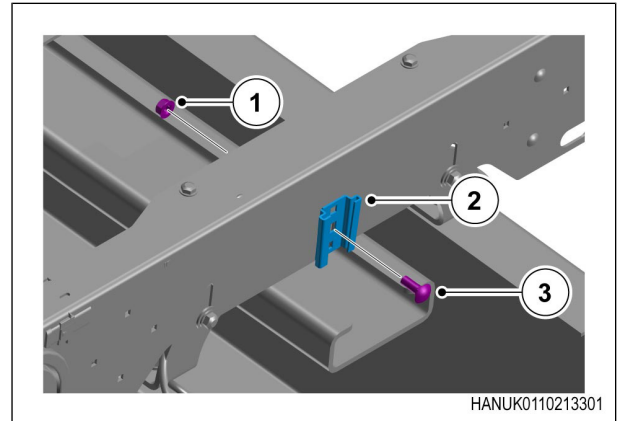


Fig. 12

Number	Part number	Description	Quantity
(1)	700711238	Nut - 3/8	1
(2)	700746128	Bracket	1
(3)	700047	Carriage bolt - 3/8 x 1	1

7. Install the plates (1), with the bolts (5), spacers (4), washers (3) and nuts (2).

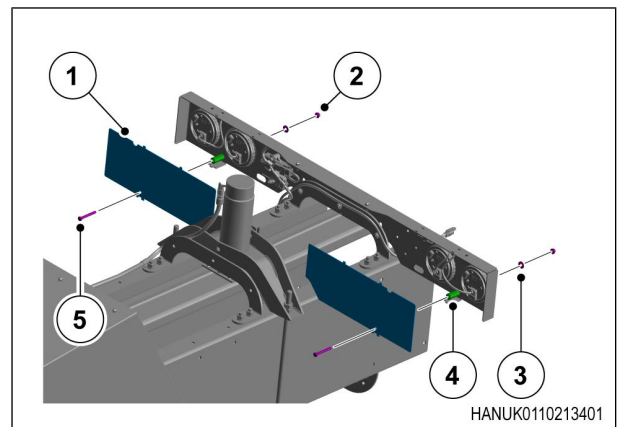


Fig. 13

Number	Part number	Description	Quantity
(1)	ACX4186320	Plate	2
(2)	704726	Nut - 5/16	2
(3)	700709602	Washer - 5/16	2
(4)	6828107	Spacer	2
(5)	7703945	Bolt - 5/16 x 2	2

After finishing the procedure

- Use the supplied cable ties to attach the wiring harnesses in a safe position.
- Use the wiring harness (700748473) to connect the baler.
- Do a check of the operation of the kit.

